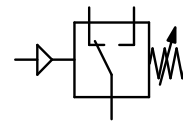


PRESSURE AND VACUUM SWITCH WITH LOW HYSTERESIS, TYPE "AIRROL®"

F4300

Description	Pressure and vacuum switch with electrical outlet signal and low hysteresis. The microswitch satisfies UL and CSA regulations. Polysulphone of the body approved by National Sanitation Foundation. The switch also complies with FDA regulations and is suitable for water and food products.		
Media	compressed air, non-corrosive gases or liquids		
Switch contact	micro SPDT switch, covered by plastic cap		
Contact load	3 A or 4 A at 230 V AC, see chart		
Electrical connector	0.110" (2.8 mm) quick connector for Molex/ETC connector		
Repeatability	± 2% FS		
Certifications	CSA-certified and UL-listed		
Switching time	25 ms		
Mounting position	any		
Temperature range	4 °C to 66 °C / 40 °F to 150 °F		
Material	Body: polysulphone	Spring: stainless steel	
	Diaphragm: polyurethane	Media non-contact parts: nylon, carbon fibre nylon, acetal	



14 ... 140 mbar / 7 bar
-7 ... -170 mbar / -1 bar

Switches



12

Description	Contact load	Hysteresis typical	Hysteresis max.	Over-pressure max. bar	Measurement range bar	Order number
	max. A	mbar	mbar	max. bar	bar	

Pressure / vacuum switch, low hysteresis	Contact load	Hysteresis typical	Hysteresis max.	Over-pressure max. bar	Measurement range bar	Order number
pressure switch	3	7	14	2	0.014 ... 0.14	F4300- 2PT
	4	14	24	2	0.035 ... 0.35	F4300- 5PT
	4	30	41	3	0.035 ... 1.0	F4300- 15PT
	4	40	70	4	0.035 ... 2.1	F4300- 30PT
	4	100	170	8	0.035 ... 4.2	F4300- 60PT
	4	140	240	8	0.070 ... 7.0	F4300-100PT
vacuum switch	4	10	20	-1	-0.007 ... -0.17	F4300-X 5PT
	4	20	34	-1	-0.015 ... -0.34	F4300-X10PT
	4	34	50	-1	-0.050 ... -1.00	F4300-X30PT



F4300-...PT



F4300-...FM



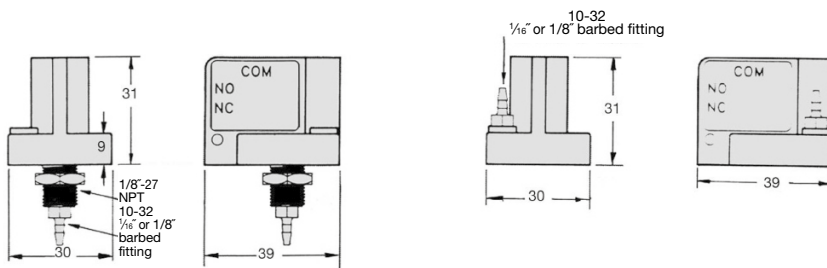
F4300-...PT



F4300-...MM

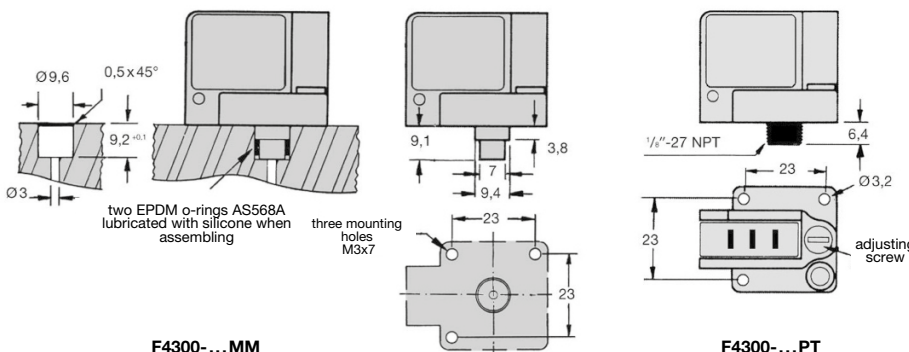
Special options, add or change the appropriate letter

flush mounting	barbed fitting made of nylon, Ø 1/16", Ø 2 mm	F4300-...FM
panel mounting	barbed fitting made of nylon, Ø 1/16", Ø 2 mm	F4300-...PM
manifold mounting		F4300-...MM
barbed fittings	for FM and PM, made of nylon, Ø 1/16", Ø 2 mm	F4300-...B80 Stand.
	nylon, Ø 1/8", Ø 4 mm	F4300-...B85
	polysulphone, Ø 1/16", Ø 2 mm	F4300-...P80
	polysulphone, Ø 1/8", Ø 4 mm	F4300-...P85
gold contact		F4300-...1B
factory-set switchpoint	± 5%, indicate on order	F4300-...X
free of oil and grease	specially cleaned, suitable for oxygen	F4300-...L



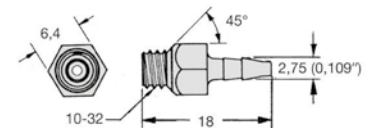
F4300-...PM

F4300-...FM

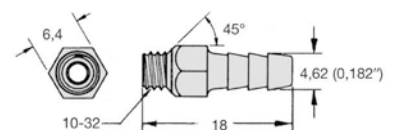


F4300-...MM

F4300-...PT



B80 / P80



B85 / P85

* Product group

PDF CAD
www.aircom.net



Order example:
F4300-2PT